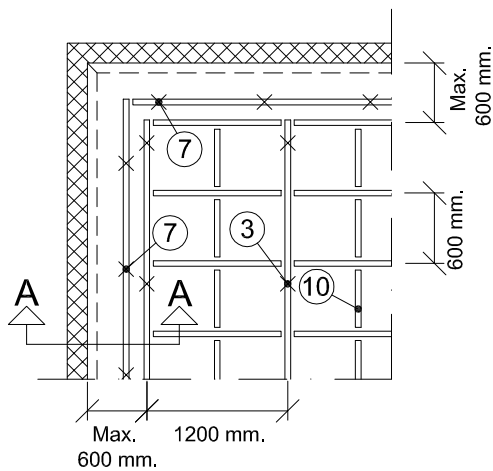


SECTION A-A

- 1 Main T section 4120180 (15mm) or 4110180 (24mm), cc distance 1200 mm.
- 2 Cross T section 4120163 (15mm) or 4110163 (24mm), length 1200 mm, cc distance 600 mm.
- 3 Adjustable hanger, cc distance 1200 mm.
- 4 Gyptone 10 mm plasterboard with edge A.
- 5 Steel angle H 50/50, attached to wall at 400 mm, with screw with pan-head.
- 6 Main channel GK 1.
- 7 Adjustable hanger GK 26-25/GK 25, cc distance 900 mm.
- 8 12,5 mm Gyproc plasterboard Gyptone BIG Base (jointing supports with steel base plate and fillers/screws).
- 9 Gyproc screw QS 25.
- 10 Cross T section 4120161 (15mm) or 4110161 (24mm), length 600 mm, cc distance 1200 mm.



PLAN CUTOUT

STANDARD DETAIL

System	Edge A ceiling		
Notation	Attached frieze of Gyptone BIG Base, max. frieze width 600 mm.		
Scale	1:2	Date	25/07-2012
		Rev.	
		Rev. date	



Nr. **A-004-10mm**