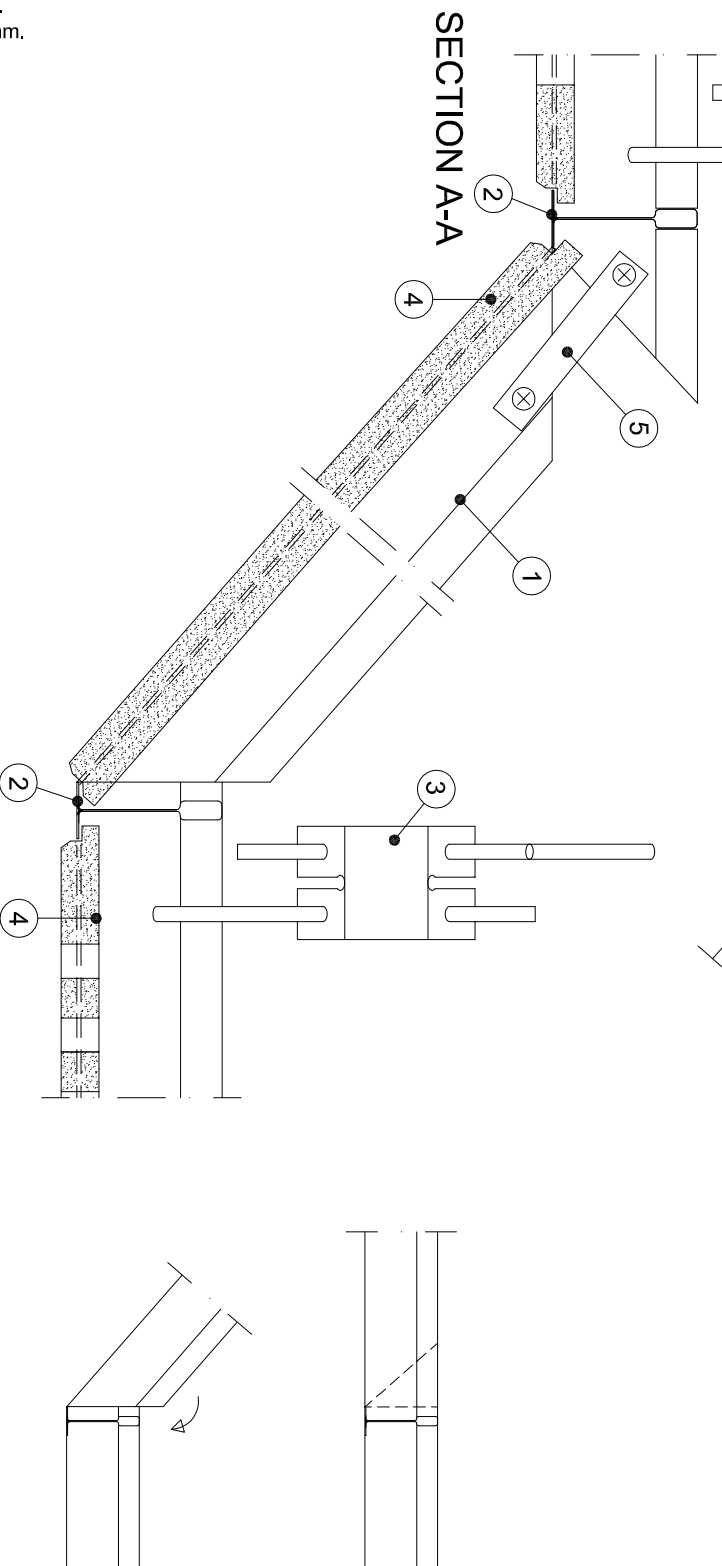
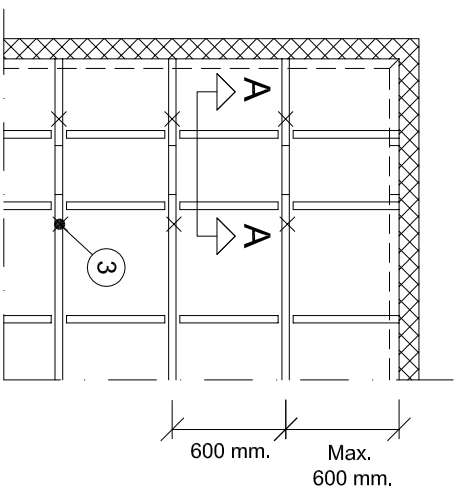


SECTION A-A



- 1 Cutted main T section 4120180, cc distance 600 mm.
- 2 Cross T section 4120161, length 600 mm, cc distance 600 mm.
- 3 Adjustable hanger, cc distance 1200 mm.
- 4 Gyptone 10 mm plaster board with edge E15, lowest tile edge adapted with T section (perforated / not perforated).
- 5 The reinforcement with furnishing attached with 2 pieces of screw P14.



PLAN CUTOUT

STANDARD DETAIL

System Edge E15 ceiling

Notation Tracking in main T section.

Scale	Date	Rev.	Rev. date	Nr.
1:2	25/07-2012			E-006-10mm

GYPTONE