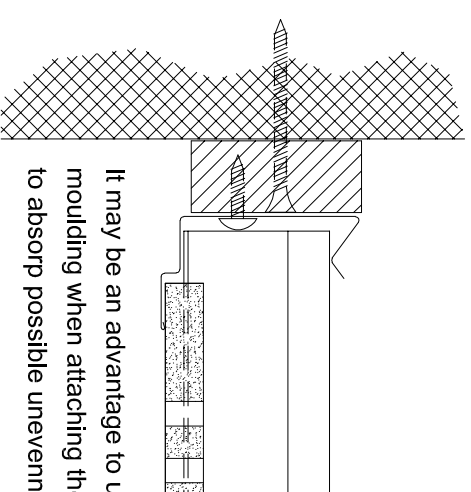
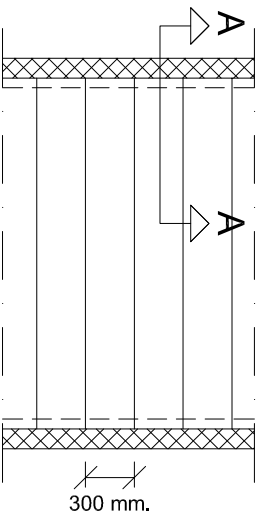


SECTION A-A



It may be an advantage to use a wooden moulding when attaching the wall angle in order to absorb possible unevennesses of the wall.

- 1 Edge profile 4133900, attached to wall with cc distance 300 mm, with screw with pan-head.
- 2 24 mm main profile 4108205, 4108210, 4108220, length 1230, 1830, 2430 mm
- 3 10 mm Gypstone tile for Plank plaster board with edge E24/B.



PLAN CUTOUT

STANDARD DETAIL

System Edge E24/B ceiling - Plank

Notation Wall attachment with edge profile

Scale 1:2

Date 17/12-2019

Rev.

Rev. date

Nr.

E24/B - 001

GYPTONE