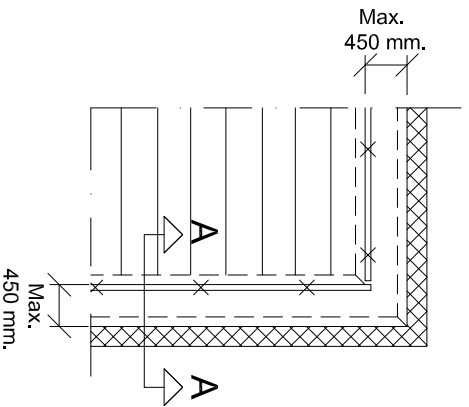


SECTION A-A

- 1 24 mm main profile 4108205 4108210, 4108220, 4108220, 1830, 1830, 2430 mm
- 2 10 mm Gyptone tile for plank plaster board with edge E24/B.
- 3 Edge profile 4133900, mounted bag agianst GK 1.
- 4 Main channel GK-1.
- 5 Adjustable hanger GK 26-25/GK 25, cc distance 900 mm.
- 6 Steel angle H 50/50, attached to wall at 400 mm. with screw with pan-head.
- 7 12,5 mm Gyproc plaster board Gyptone BIG Base (jointing supportes with steel base plate and fillers/screws).
- 8 Edge rail KS 13.
- 9 P14 screw cc 300 mm. (there must rough-bores with $\varnothing = 5$ mm. in edge profile).
- 10 Gyproc screw QS 25, cc distance 300 mm



PLAN CUTOOUT

STANDARD DETAIL

System Edge E24/B ceiling - Plank

Notation Wall attachment with frieze solution, max. frieze width 450 mm.

Scale 1:2 Date 17/12-2019 Rev. Rev. date



Nr. E24/B - 003