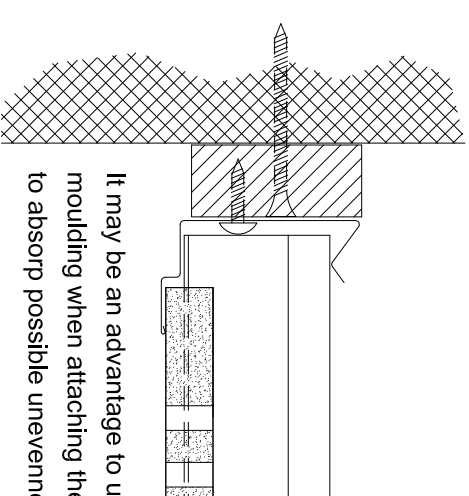
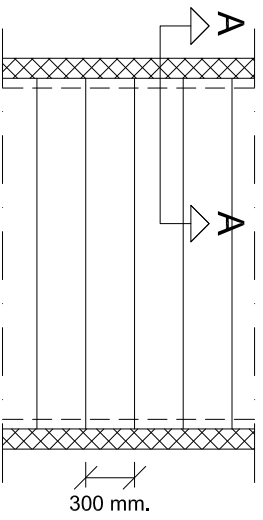


SECTION A-A



It may be an advantage to use a wooden moulding when attaching the wall angle in order to absorb possible unevennesses of the wall.

- 1 Edge profile 4133900, attached to wall with cc distance 300 mm, with screw with pan-head.
- 2 15 mm main profile 4108010, 4108015, 4108020, length 1830, 2130, 2430 mm
- 3 12,5 mm Gyptone Plank plaster board with edge E15/A.



PLAN CUTOUT

STANDARD DETAIL

System Edge E15/A ceiling

Notation Wall attachment with edge profile

Scale 1:2

Date 01/12-2005

Rev.

Rev. date

Nr.

E15/A - 001

GYPTONE