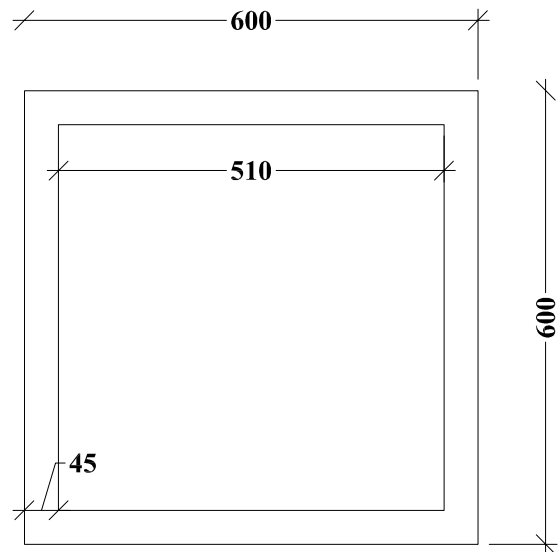
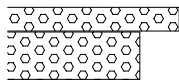


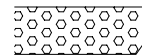
Access Panel Line 6 with the measurement of 508 x 508 mm



Access Panel frame with the measurement of 600 x 600 mm



Edge A




Edge B

Surface :	Gyptone Access Panel is supplied unpainted.
Design:	Gyptone Access Panel is based on a 12,5 mm thick Gyproc plasterboard. The Access Panel is perforated with Line pattern 6x80 mm, cc 15 mm. With each Access Panel, comes a frame, specially made to fit the Access Panel, with edge B
Technic:	The weight is approximately 5 kg/pcs. The Access Panel have a 6,5 mm plasterboard, glued to the back side

Perforation

GYPTONE ACCESS PANEL LINE 6

 <p>GYPROC A/S HARESKOVVEJ 12 4400 KALUNDBORG TLF. + 45 59 57 03 30 FAX. +45 59 57 03 01</p>	<p>Drawn by JFP</p>	<p>Date 03.08.2010</p>	<p>Drawing No. APL6</p>
	<p>Measure 1:10</p>	<p>REV. DATO: 27.05.2013</p>	